

WIRE WINDING

FSG-DESIGN

PW70d

Wire wound precision Potentiometer

- High-resolution resistance element with ring winding
- Short-circuit sections, additional taps, and special windings available upon request
- Resistance value and active angle can be customized as desired



TECHNICAL DATA

Housing material	thermoset
Housing diameter	70 mm
Model	FSG-Design
IP code	IP30
Shaft diameter	6 mm
Adjustment speed	max. 360 U/min
Torque	0.5 Ncm
Wiper without limit stops	yes
Multiple execution	sixfold
Bearing	needle bearing
Connection	screw connection / solder-type terminals
Fastening	2x M4 at a distance of 50 mm
Resistance element	ring
Active angle	max. 360°

Resistance values	to 50 kΩ
Resistance tolerance	2%
Linearity tolerance	±0.15 %
Resolution	max. 3621 turns
Capacity	6 W
Temperature range	-30 °C to +80 °C
Temperature coefficient	0.0017 % / °C
Lifetime	typical 10–50 Mio. Cycles <i>The lifetime depends on the application and environmental conditions.</i>
Vibration*	5–200 Hz, 10 g
Shock*	50 g, 6 ms

Specific features

Additional switches, maximum of 6, available

**Depending on customer specifications.*

Article master number 1700Z04

Typical

APPLICATION AREAS



Ship



Rails



Automation



Logistics



Medicine



Industry

Optionally available

PROTECTIVE HOUSING

To protect against mechanical damage and extreme environmental conditions, as well as for necessary adaptation gears and additional switches, suitable housings are available in various designs.



For more information on protective housings, click here: www.fsg-sensors.de

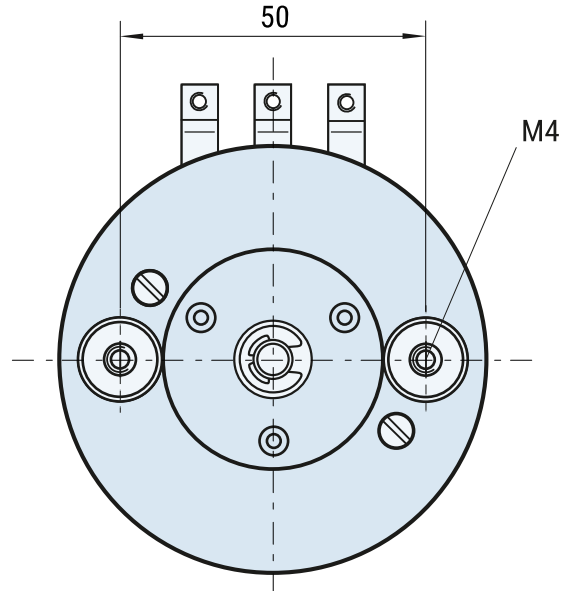
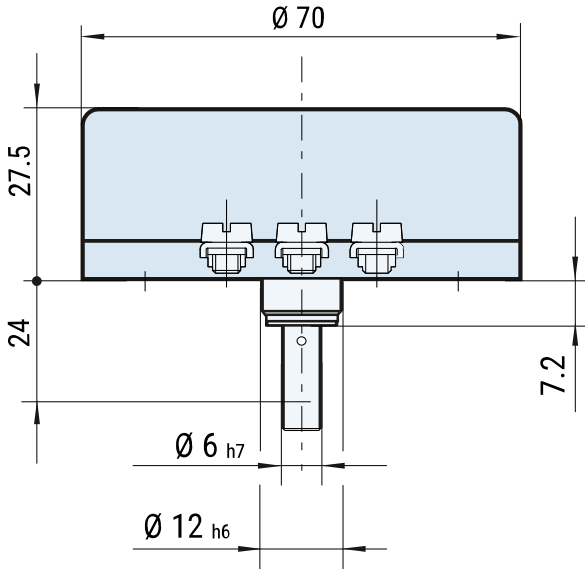


WIRE WINDING

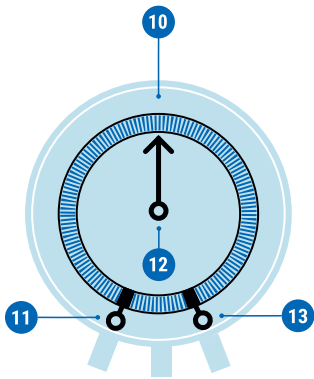
FSG-DESIGN

PW70d

DIMENSIONAL DRAWINGS



CONNECTION



Standard

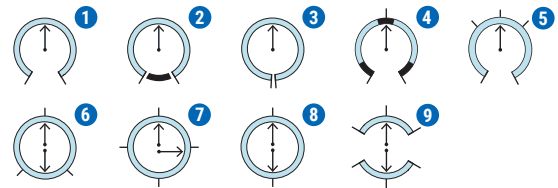
- 11 Resistance start
- 12 Wiper
- 13 Resistance end

Optional

- 10 Additional tap

CIRCUIT VARIATIONS

Wire-wound resistive elements as **ring winding** on an anodized aluminum ring body can be executed in various circuit configurations, angle ranges, and resistance values.



- 1 Wiper limited by stops
- 2 Wiper continues rotation over 360° with dummy winding
- 3 Wiper continues rotation over 360° without reactive winding (sawtooth curve)
- 4 Free arrangement of shorted sections
- 5 Free arrangement of taps
- 6/7/8 Special windings with linear or sin/cos characteristic curves
- 9 Two electrically isolated windings on a winding body, angle ≤175°

CONTACT

If you have any questions about this or any other FSG product, please do not hesitate to contact us.



BERLIN (HQ)
Fernsteuergeräte Kurt Oelsch GmbH
Jahnstraße 68 + 70
12347 Berlin

✉ info@fsg-sensors.de
🌐 www.fsg-sensors.de
📞 +49 30 6291-1
📠 +49 30 6291-277

© Fernsteuergeräte Kurt Oelsch GmbH
No guarantee for the correctness, completeness of the contents. The product illustration may differ from original.