

WIRE WINDING

SYNCHRO DESIGN

PW620-16d

Wire wound precision Potentiometer

- High-resolution resistive element with caterpillar winding
- Short-circuit distances and additional taps available upon request
- Resistance value and active angle can be customized as desired



TECHNICAL DATA

Housing material	aluminum, anodized	Resistance values	to 20 kΩ
Housing diameter	50.8 mm	Resistance tolerance	5%
Model	synchro size 20	Linearity tolerance	±0.2 %
IP code	IP30	Resolution	3434 turns
Shaft diameter	6 mm	Capacity	1 W
Adjustment speed	max. 360 U/min	Temperature range	-30 °C to +80 °C
Torque	0.05 Ncm	Temperature coefficient	0.00 17 % / °C
Wiper without limit stops	for adjustment purposes only	Lifetime	typical 10–50 Mio. Cycles <i>The lifetime depends on the application and environmental conditions.</i>
Multiple execution	sixfold	Vibration*	5–200 Hz, 10 g
Bearing	sintered bearing	Shock*	50 g, 6 ms
Connection	faston plug / solder-type terminals		
Fastening	clamp fixing		
Resistance element	caterpillar		
Active angle	max. 345°		

Specific features
2 additional switches, fixed

**Depending on customer specifications.*

Article master number 1577Z01

Typical

APPLICATION AREAS



Ship



Rails



Automation



Logistics



Medicine



Industry

Optionally available

PROTECTIVE HOUSING

To protect against mechanical damage and extreme environmental conditions, as well as for necessary adaptation gears and additional switches, suitable housings are available in various designs.



For more information on protective housings, click here: www.fsg-sensors.de

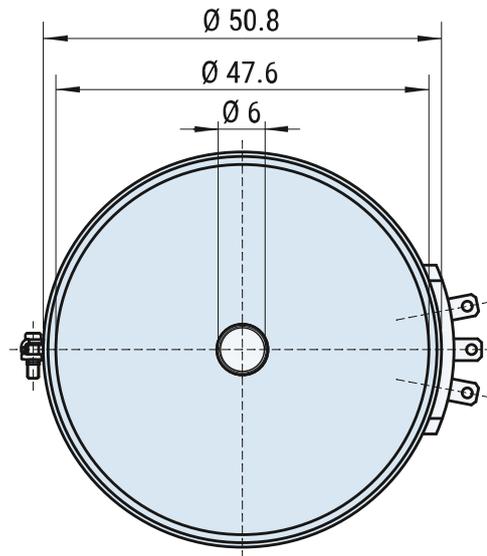
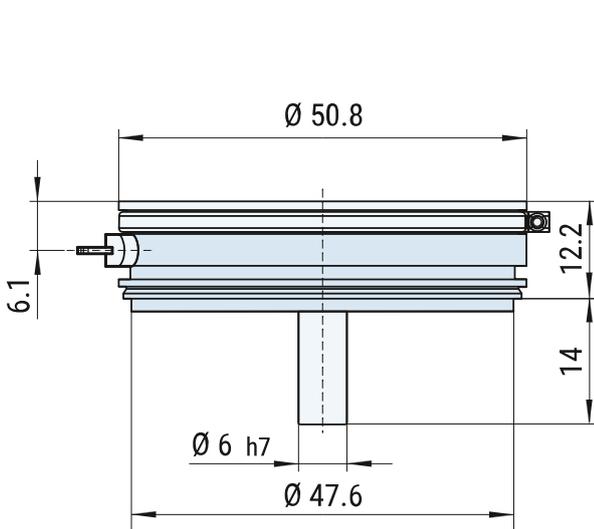


WIRE WINDING

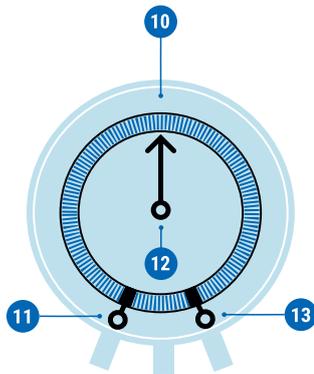
SYNCHRO DESIGN

PW620-16d

DIMENSIONAL DRAWINGS



CONNECTION



Standard

- 11 Resistance start
- 12 Wiper
- 13 Resistance end

Optional

- 10 Additional tap

CIRCUIT VARIATIONS

Wire-wound resistive elements with shape on a painted copper wire body in single-turn or multi-turn potentiometers.



- 1 Wiper limited by stops
- 2 Wiper continuous rotation without limit stops (over 360°) only for short-up without voltage
- 3 Free arrangement of short-circuit sections
- 4 Free arrangement of taps

CONTACT

If you have any questions about this or any other FSG product, please do not hesitate to contact us.

BERLIN (HQ)
 Fernsteuergeräte Kurt Oelsch GmbH
 Jahnstraße 68 + 70
 12347 Berlin

✉ info@fsg-sensors.de
 🌐 www.fsg-sensors.de
 📞 +49 30 6291-1
 📠 +49 30 6291-277

© Fernsteuergeräte Kurt Oelsch GmbH
 No guarantee for the correctness, completeness of the contents. The product illustration may differ from original.