

WIRE WINDING

SYNCHRO DESIGN

PW620-16

Wire wound precision Potentiometer

- High-resolution resistive element with caterpillar winding
- Short-circuit distances and additional taps available upon request
- Resistance value and active angle can be customized as desired



TECHNICAL DATA

| | | | |
|---------------------------|-------------------------------------|-------------------------|---|
| Housing material | aluminum, anodized | Resistance values | to 20 kΩ |
| Housing diameter | 50.8 mm | Resistance tolerance | 5% |
| Model | synchro size 20 | Linearity tolerance | ±0.2 % |
| IP code | IP30 | Resolution | 3434 turns |
| Shaft diameter | 6 mm | Capacity | 1 W |
| Adjustment speed | max. 360 U/min | Temperature range | -30 °C to +80 °C |
| Torque | 0.05 Ncm | Temperature coefficient | 0.00 17 % / °C |
| Wiper without limit stops | no | Lifetime | typical 10–50 Mio. Cycles <i>The lifetime depends on the application and environmental conditions.</i> |
| Multiple execution | sixfold | Vibration* | 5–200 Hz, 10 g |
| Bearing | sintered bearing | Shock* | 50 g, 6 ms |
| Connection | faston plug / solder-type terminals | | |
| Fastening | clamp fixing | | |
| Resistance element | caterpillar | | |
| Active angle | max. 345° | | |

Specific features
2 additional switches, fixed

**Depending on customer specifications.*

Article master number 1577Z01

Typical

APPLICATION AREAS



Ship



Rails



Automation



Logistics



Medicine



Industry

Optionally available

PROTECTIVE HOUSING

To protect against mechanical damage and extreme environmental conditions, as well as for necessary adaptation gears and additional switches, suitable housings are available in various designs.



For more information on protective housings, click here: www.fsg-sensors.de

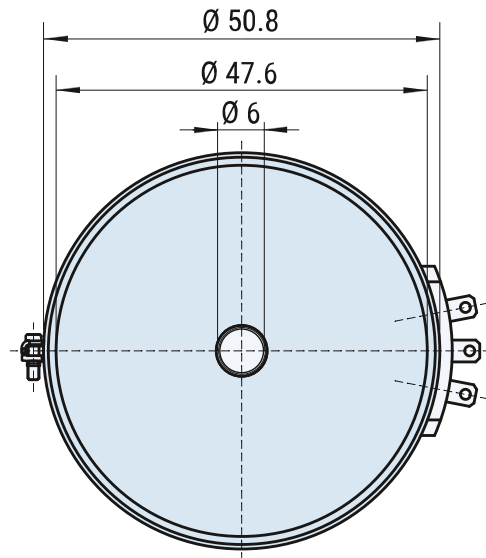
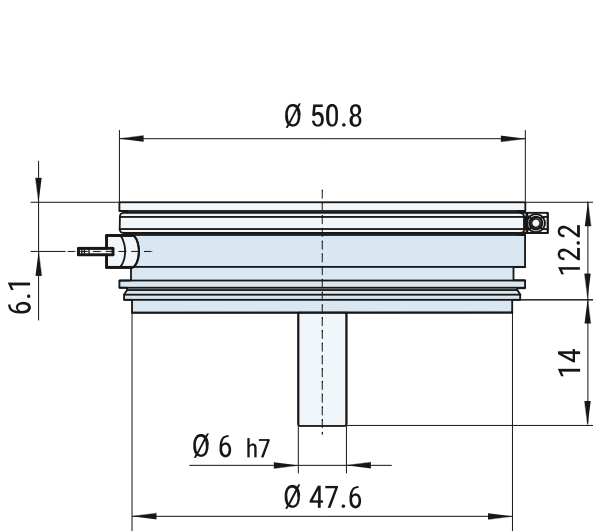


WIRE WINDING

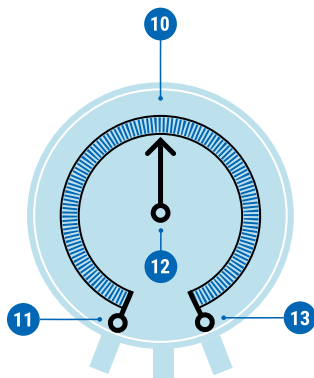
SYNCHRO DESIGN

PW620-16

DIMENSIONAL DRAWINGS



CONNECTION



Standard

- 11 Resistance start
- 12 Wiper
- 13 Resistance end

Optional

- 10 Additional tap

CIRCUIT VARIATIONS

Wire-wound resistive elements with shape on a painted copper wire body in single-turn or multi-turn potentiometers.



- 1 Wiper limited by stops
- 2 Wiper continuous rotation without limit stops (over 360°) only for short-up without voltage
- 3 Free arrangement of short-circuit sections
- 4 Free arrangement of taps

CONTACT

If you have any questions about this or any other FSG product, please do not hesitate to contact us.

BERLIN (HQ)
Fernsteuergeräte Kurt Oelsch GmbH
Jahnstraße 68 + 70
12347 Berlin

✉ info@fsg-sensors.de
🌐 www.fsg-sensors.de
📞 +49 30 6291-1
📠 +49 30 6291-277

© Fernsteuergeräte Kurt Oelsch GmbH
No guarantee for the correctness, completeness of the contents. The product illustration may differ from original.