

WIRE WINDING

SYNCHRO DESIGN

PW613-16

Wire wound precision Potentiometer

- High-resolution resistive element with caterpillar winding
- Short-circuit distances and additional taps available upon request
- Resistance value and active angle can be customized as desired



TECHNICAL DATA

Housing material	aluminum, anodized
Housing diameter	36.5 mm
Model	synchro size 13
IP code	IP30
Shaft diameter	6 mm
Adjustment speed	max. 360 U/min
Torque	0.05 Ncm
Wiper without limit stops	no
Multiple execution	sixfold
Bearing	sintered bearing
Connection	faston plug / solder-type terminals
Fastening	clamp fixing
Resistance element	caterpillar
Active angle	max. 345°

Resistance values	to 20 kΩ
Resistance tolerance	5%
Linearity tolerance	±0.2 %
Resolution	1851 turns
Capacity	1 W
Temperature range	-30 °C to +80 °C
Temperature coefficient	0.0017 % / °C
Lifetime	typical 10–50 Mio. Cycles <i>The lifetime depends on the application and environmental conditions.</i>
Vibration*	5–200 Hz, 10 g
Shock*	50 g, 6 ms

*Depending on customer specifications.

Article master number 1567Z01

Typical

APPLICATION AREAS



Optionally available

PROTECTIVE HOUSING

To protect against mechanical damage and extreme environmental conditions, as well as for necessary adaptation gears and additional switches, suitable housings are available in various designs.



For more information on protective housings, click here: www.fsg-sensors.de

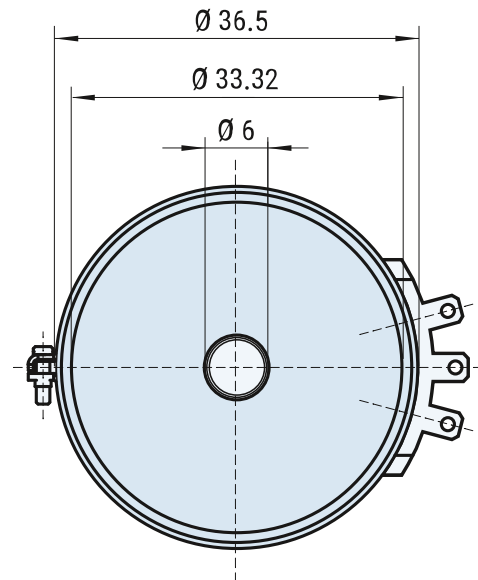
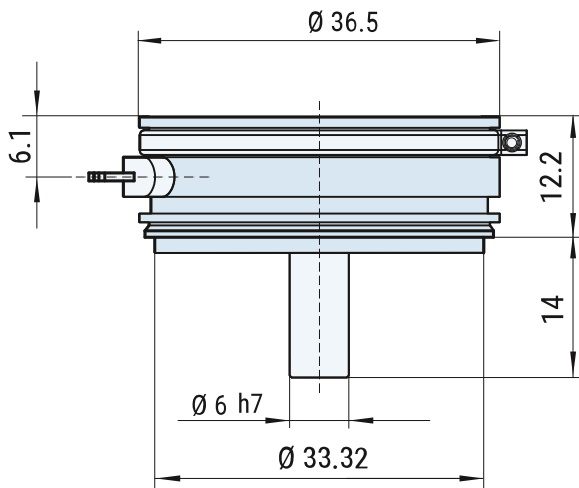


WIRE WINDING

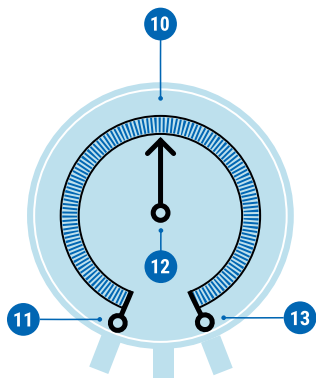
SYNCHRO DESIGN

PW613-16

DIMENSIONAL DRAWINGS



CONNECTION



Standard

- 11 Resistance start
- 12 Wiper
- 13 Resistance end

Optional

- 10 Additional tap

CIRCUIT VARIATIONS

Wire-wound resistive elements with shape on a painted copper wire body in single-turn or multi-turn potentiometers.



- 1 Wiper limited by stops
- 2 Wiper continuous rotation without limit stops (over 360°) only for short-up without voltage
- 3 Free arrangement of short-circuit sections
- 4 Free arrangement of taps

CONTACT

If you have any questions about this or any other FSG product, please do not hesitate to contact us.

BERLIN (HQ)
 Fernsteuergeräte Kurt Oelsch GmbH
 Jahnstraße 68 + 70
 12347 Berlin

✉ info@fsg-sensors.de
 🌐 www.fsg-sensors.de
 📞 +49 30 6291-1
 📠 +49 30 6291-277

© Fernsteuergeräte Kurt Oelsch GmbH
 No guarantee for the correctness, completeness of the contents. The product illustration may differ from original.