

WIRE WINDING

FSG-DESIGN

# PW0045hy

**Low-cost precision Potentiometer with wire winding**

- Low-cost Potentiometer with light plastic housing
- High-resolution resistance element with caterpillar winding for angle ranges of 280° and 345°
- Short-circuit distances and additional taps available upon request



## TECHNICAL DATA

Housing material	thermoplastic
Housing diameter	45 mm
Model	FSG-Design
IP code	IP30
Shaft diameter	6 mm
Adjustment speed	max. 60 U/min
Torque	3–5 Ncm
Wiper without limit stops	no
Multiple execution	einfach
Bearing	plain bearing
Connection	solder-type terminals
Fastening	central fixing /threaded hole 2x M4
Resistance element	caterpillar
Active angle	280° / 345°

Resistance values	to 25 kΩ
Resistance tolerance	5%
Linearity tolerance	±0.5 %
Resolution	max. 2312 turns
Capacity	1.5 W
Temperature range	-30 °C to +80 °C
Temperature coefficient	0.0017 % / °C
Lifetime	typical 10–50 Mio. Cycles <i>The lifetime depends on the application and environmental conditions.</i>
Vibration*	5–200 Hz, 10 g
Shock*	50 g, 6 ms

\*Depending on customer specifications.

**Article master number 1511Z07**

## Typical APPLICATION AREAS



## Optionally available PROTECTIVE HOUSING

To protect against mechanical damage and extreme environmental conditions, as well as for necessary adaptation gears and additional switches, suitable housings are available in various designs.



**For more information on protective housings, click here: [www.fsg-sensors.de](http://www.fsg-sensors.de)**

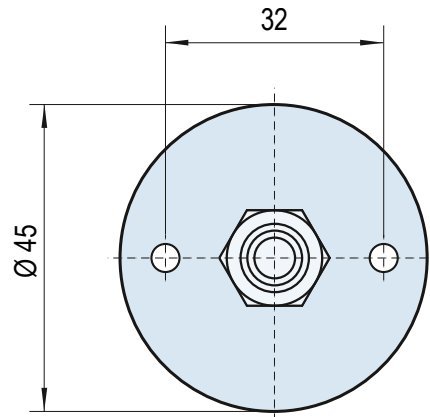
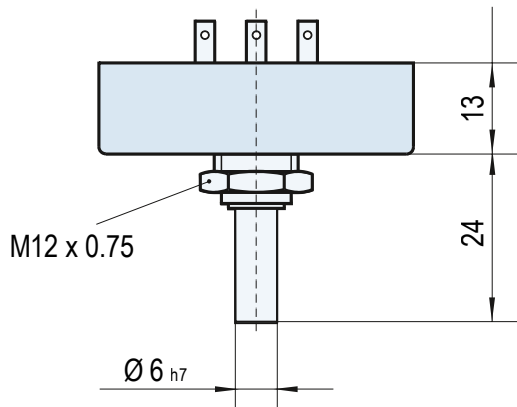


WIRE WINDING

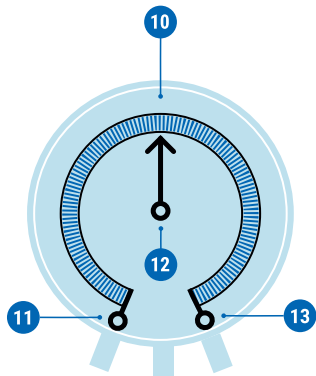
FSG-DESIGN

# PW0045hy

## DIMENSIONAL DRAWINGS



## CONNECTION



**Standard**

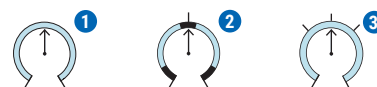
- 11 Resistance start
- 12 Wiper
- 13 Resistance end

**Optional**

- 10 Additional tap

## CIRCUIT VARIATIONS

Wire-wound resistive elements with shape on a painted copper wire body in single-turn or multi-turn input or multiturn potentiometers.



- 1 Wiper limited by stops
- 2 Free arrangement of short-circuit sections
- 3 Free arrangement of taps

## CONTACT

If you have any questions about this or any other FSG product, please do not hesitate to contact us.

**BERLIN (HQ)**  
Fernsteuergeräte Kurt Oelsch GmbH  
Jahnstraße 68 + 70  
12347 Berlin

✉ info@fsg-sensors.de  
🌐 www.fsg-sensors.de  
📞 +49 30 6291-1  
📠 +49 30 6291-277

© Fernsteuergeräte Kurt Oelsch GmbH  
No guarantee for the correctness, completeness of the contents. The product illustration may differ from original.