

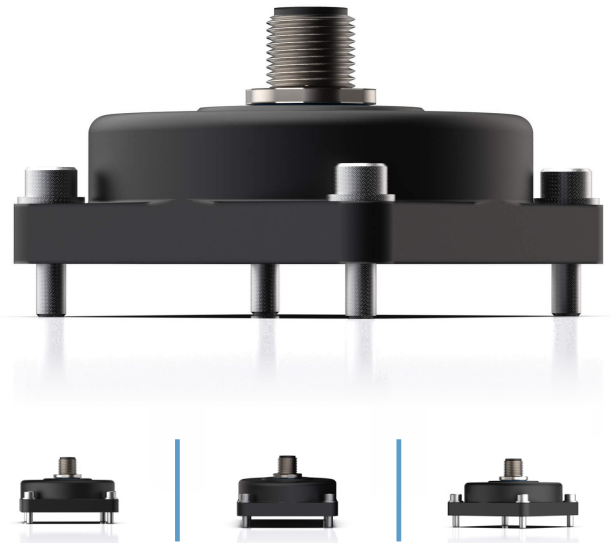
DUAL AXIS SENSOR BASIC-SERIES

PE-MEMS-XY-CAN-GS60L

Electronic inclination sensor with analog output

- Inexpensive inclination sensor in a plastic housing
- Compact design
- Housing protection class IP67

CE – konform



TECHNICAL DATA

Measuring system	MEMS	Signal output	CAN-Bus
Housing design	GS60L	Protokoll	CANopen / J1939
Housing material	aluminium	Resolution	0,01° / Digit
Housing size	60 x 80 mm	Supply	9–33 V DC
Housing high	34 mm	Current consumption	<65 mA
IP code of housing up to	IP67	Temperature range	-20 °C up to +70 °C
Connection*	M12-plug	Temperature coefficient	0.15° / 10 K
Weight	150 g	EMV*	ISO 13766-1/-2, EN 61000-6-2/-8
Data logging	accelerometer	Vibration*	5–200 Hz, 4 g
Tilt angle	max. ±60°	Shock*	50 g, 6 ms
Angular accuracy	±0.25°		
Version	single		

*Depending on customer specifications.

Article master number 1895S10

Typical

APPLICATION AREAS



Ship



Rails



Construction machine



Logistics



Medicine



Industry

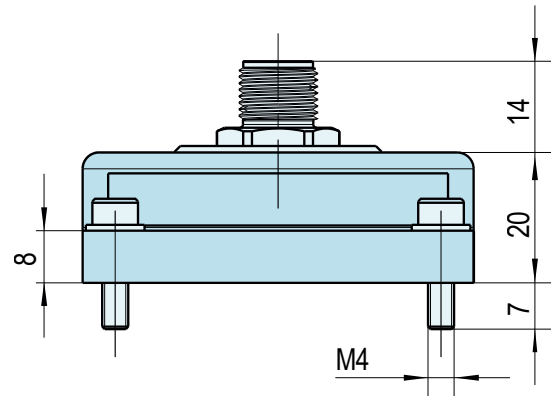
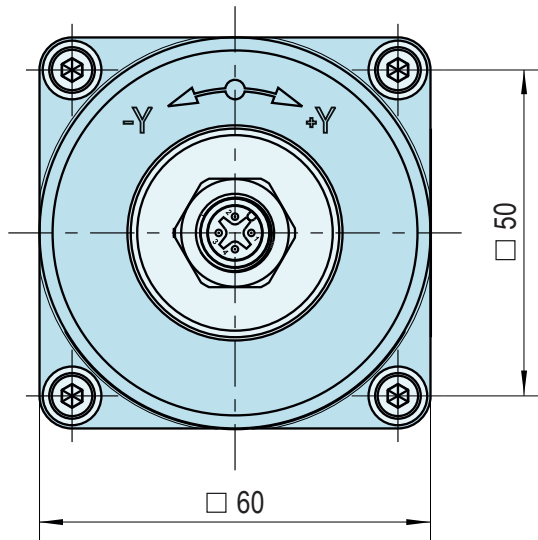
You can find more information about our inclination sensors here: fsg-sensors.de/neigungssensoren



DUAL AXIS SENSOR BASIC-SERIES

PE-MEMS-XY-CAN-GS60L

DIMENSIONAL DRAWINGS

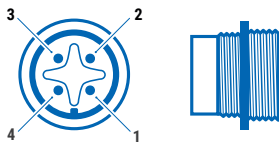


CONNECTION

MH1023-MU-Ex-IECEX

Signal output: 4-20 mA

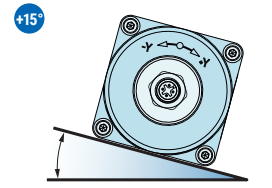
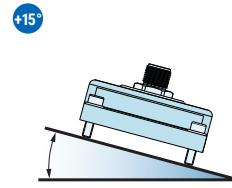
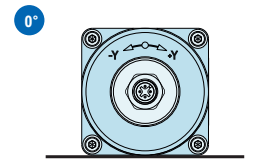
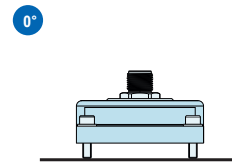
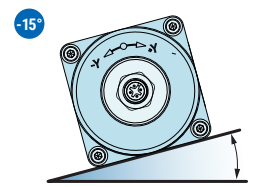
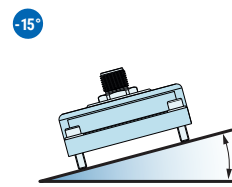
PIN	Assignment
1	CAN SHLD
2	24 V DC
3	0V
4	CAN High
5	CAN Low



MOUNTING POSITION

X-axis max. $\pm 60^\circ$

Y-axis max. $\pm 60^\circ$



CONTACT

If you have any questions about this or any other FSG product, please do not hesitate to contact us.

BERLIN (HQ)
Fernsteuergeräte Kurt Oelsch GmbH
Jahnstraße 68 + 70
12347 Berlin

✉ info@fsg-sensors.de
🌐 www.fsg-sensors.de
☎ +49 30 6291-1
📠 +49 30 6291-277

© Fernsteuergeräte Kurt Oelsch GmbH
No guarantee for the correctness, completeness of the contents. The product illustration may differ from original.