

CONDUCTIVE PLASTIC SYNCHRO DESIGN

PK613-15

Precision Potentiometer with conductive plastic resistance element

- High-resolution resistance element of conductive plastic
- Short-circuit distances and additional taps available upon request
- Resistance value and active angle can be customized as desired



TECHNICAL DATA

| | | | |
|---------------------------|-------------------------------------|-------------------------|---|
| Housing material | aluminum, anodized | Resistance values | to 10 kΩ |
| Housing diameter | 36.5 mm | Resistance tolerance | ± 10 % |
| Model | synchro size 13 | Linearity tolerance | ±1.5 % / ±0.15 % (on request) |
| IP code | IP30 | Resolution | almost infinite |
| Shaft diameter | 6 mm | Capacity | 1 W |
| Adjustment speed | max. 1000 U/min. | Temperature range | -30 °C to +80 °C |
| Torque | 0.05 Ncm | Temperature coefficient | 0.02 % / °C |
| Wiper without limit stops | no | Lifetime | typical 10–50 Mio. Cycles <i>The lifetime depends on the application and environmental conditions.</i> |
| Multiple execution | sixfold | Vibration* | 5–200 Hz, 10 g |
| Bearing | ball-bearing | Shock* | 50 g, 6 ms |
| Connection | faston plug / solder-type terminals | | |
| Fastening | clamp fixing | | |
| Resistance element | conductive plastic | | |
| Active angle | max. 352° | | |

**Depending on customer specifications.*

Article master number 1565Z02

Typical APPLICATION AREAS



Ship



Rails



Automation



Logistics



Medicine



Industry

Optionally available PROTECTIVE HOUSING

To protect against mechanical damage and extreme environmental conditions, as well as for necessary adaptation gears and additional switches, suitable housings are available in various designs.



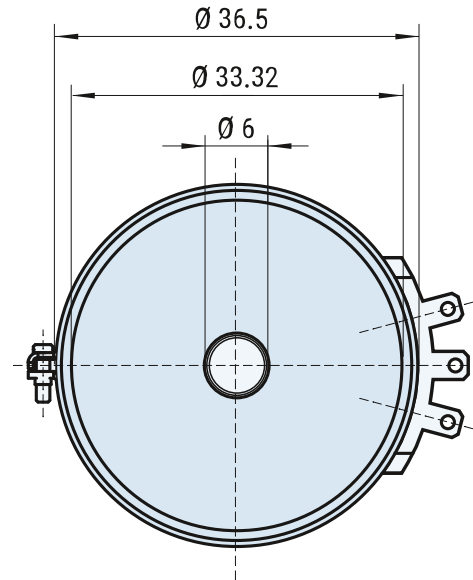
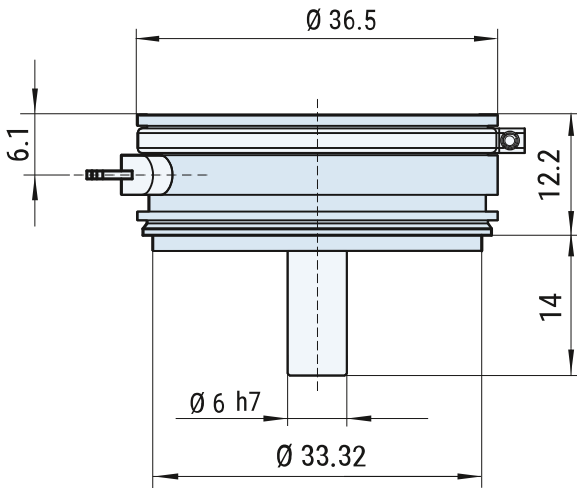
For more information on protective housings, click here: www.fsg-sensors.de



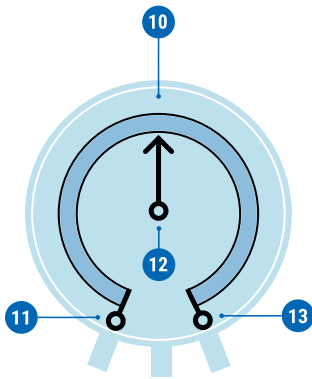
CONDUCTIVE PLASTIC SYNCHRO DESIGN

PK613-15

DIMENSIONAL DRAWINGS



CONNECTION



Standard

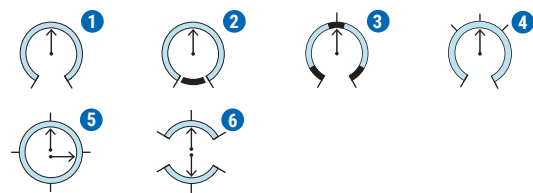
- 11 Resistance start
- 12 Wiper
- 13 Resistance end

Optional

- 10 Additional tap

CIRCUIT VARIATIONS

Wire-wound resistive elements **conductive plastic**, printed on glass fiber reinforced substrate. Maximum active angle is 355°. Smaller angles, taps, and shorted sections are available on request.



- 1 Wiper limited by stops
- 2 Wiper continues rotation over 360°
- 3 Free arrangement of shorted sections
- 4 Free arrangement of taps
- 5 Sin/cos characteristic curve
- 6 Two electrically isolated windings on a winding body, angle $\le 175^\circ$

CONTACT

If you have any questions about this or any other FSG product, please do not hesitate to contact us.



BERLIN (HQ)
Fernsteuergeräte Kurt Oelsch GmbH
Jahnstraße 68 + 70
12347 Berlin

✉ info@fsg-sensors.de
🌐 www.fsg-sensors.de
📞 +49 30 6291-1
📠 +49 30 6291-277

© Fernsteuergeräte Kurt Oelsch GmbH
No guarantee for the correctness, completeness of the contents. The product illustration may differ from original.