

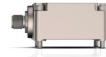
DUAL AXIS SENSOR PREMIUM-SERIES

PE-MEMS-XY-MU-i-GS60

Electronic inclination sensor with analog output

- Two-axis sensor with analog interface
- Robust aluminum housing with protection class up to IP68
- Optional with 4 additional switching contacts

CE – konform



TECHNICAL DATA

Measuring system	MEMS	Signal output	4–20 mA
Housing design	GS60	load	max. 600 Ω
Housing material	aluminium	Resolution	14 bit
Housing size	60 x 60 mm	Supply	18–33 V DC
Housing high	30 mm	Current consumption	<120 mA
IP code of housing up to	up to zu IP68	Temperature range	-30 °C up to +70 °C
Connection*	plug / cable	Temperature coefficient	0.05° / 10 K
Weight	200 g	EMV*	ISO 13766-1/-2, EN 61000-6-2/-9
Data logging	accelerometer	Vibration*	5–200 Hz, 4 g
Tilt angle	max. ±60°	Shock*	50 g, 6 ms
Angular accuracy	±0.2°		
Version	single		

*Depending on customer specifications.

Article master number 1885S12

Typical

APPLICATION AREAS



Ship



Rails



Construction machine



Logistics



Medicine



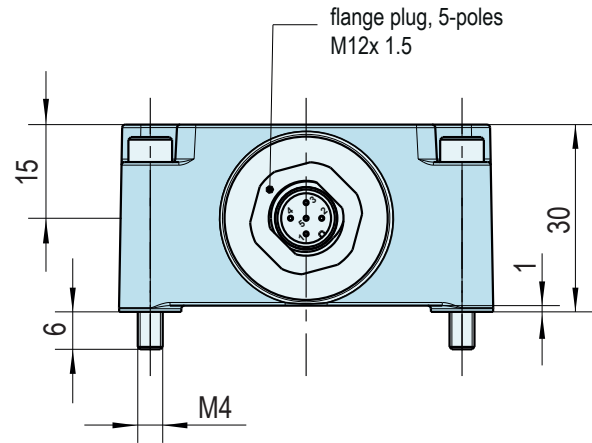
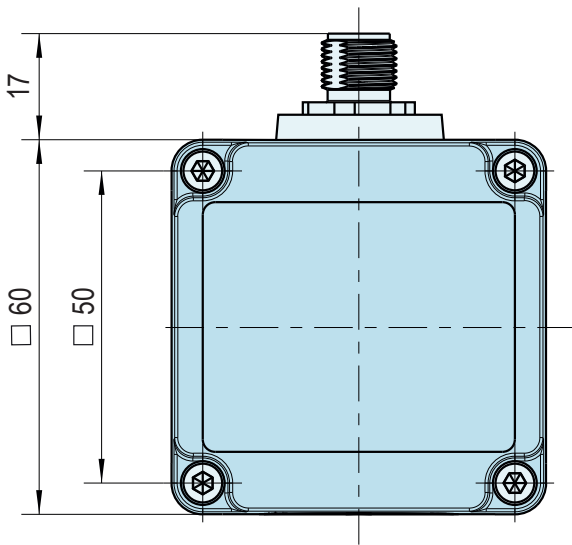
Industry

You can find more information about our inclination sensors here: fsg-sensors.de/neigungssensoren



DUAL AXIS SENSOR PREMIUM-SERIES
PE-MEMS-XY-MU-i-GS60

DIMENSIONAL DRAWINGS

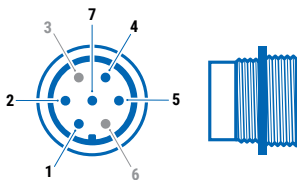


CONNECTION

MH1023-MU-Ex-IECEX

Signal output: 4-20 mA

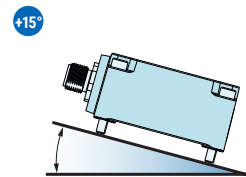
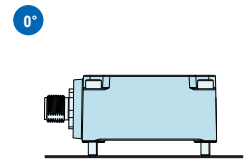
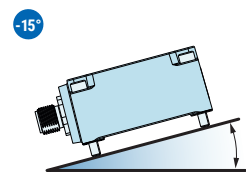
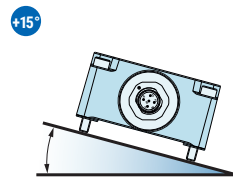
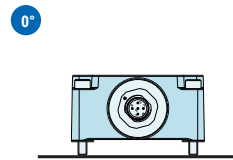
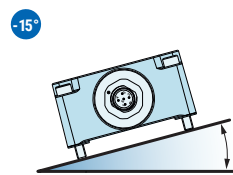
PIN	Assignment
1	0 V DC
2	18-33 V DC
3	not connected
4	Output 4-20 mA (X)
5	Output 4-20 mA (Y)
6	not connected
7	GND



MOUNTING POSITION

X-axis max. $\pm 60^\circ$

Y-axis max. $\pm 60^\circ$



CONTACT

If you have any questions about this or any other FSG product, please do not hesitate to contact us.

BERLIN (HQ)
 Fernsteuergeräte Kurt Oelsch GmbH
 Jahnstraße 68 + 70
 12347 Berlin

✉ info@fsg-sensors.de
 🌐 www.fsg-sensors.de
 📞 +49 30 6291-1
 📠 +49 30 6291-277

© Fernsteuergeräte Kurt Oelsch GmbH
 No guarantee for the correctness, completeness of the contents. The product illustration may differ from original.