

WIRE WINDING

FSG-DESIGN

PW0045my

Low-cost precision Potentiometer with wire winding

- Low-cost Potentiometer with light plastic housing
- High-resolution resistance element with caterpillar winding for angle ranges of 280° and 345°
- Short-circuit distances and additional taps available upon request



TECHNICAL DATA

Housing material	thermoplastic
Housing diameter	45 mm
Model	FSG-Design
IP code	IP30
Shaft diameter	6 mm
Adjustment speed	max. 60 U/min
Torque	0.4–0.5 Ncm
Wiper without limit stops	no
Multiple execution	einfach
Bearing	plain bearing
Connection	solder-type terminals
Fastening	central fixing /threaded hole 2x M4
Resistance element	caterpillar
Active angle	280° / 345°

Resistance values	to 25 kΩ
Resistance tolerance	5%
Linearity tolerance	±0.5 %
Resolution	max. 2312 turns
Capacity	1.5 W
Temperature range	-30 °C to +80 °C
Temperature coefficient	0.0017 % / °C
Lifetime	typical 10–50 Mio. Cycles <i>The lifetime depends on the application and environmental conditions.</i>
Vibration*	5–200 Hz, 10 g
Shock*	50 g, 6 ms

*Depending on customer specifications.

Article master number 1511Z07

Typical

APPLICATION AREAS



Ship



Rails



Automation



Logistics



Medicine



Industry

Optionally available

PROTECTIVE HOUSING

To protect against mechanical damage and extreme environmental conditions, as well as for necessary adaptation gears and additional switches, suitable housings are available in various designs.



For more information on protective housings, click here: www.fsg-sensors.de

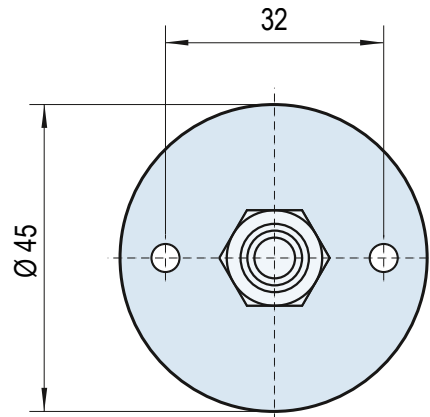
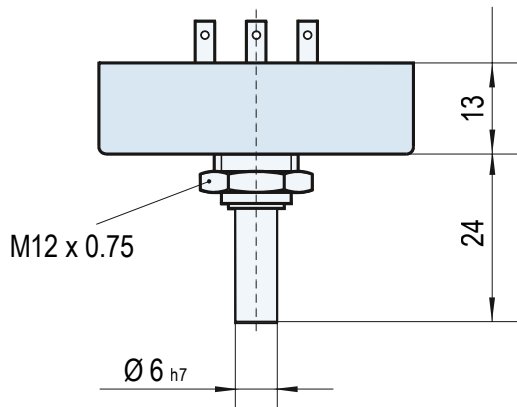


WIRE WINDING

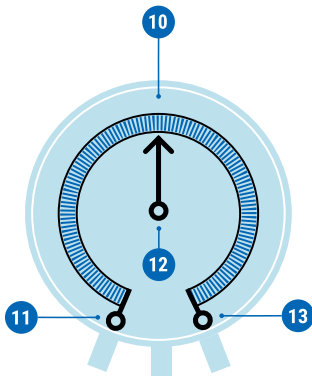
FSG-DESIGN

PW0045my

DIMENSIONAL DRAWINGS



CONNECTION



Standard

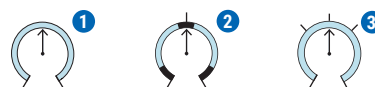
- 11 Resistance start
- 12 Wiper
- 13 Resistance end

Optional

- 10 Additional tap

CIRCUIT VARIATIONS

Wire-wound resistive elements with shape on a painted copper wire body in single-turn or multi-turn input or multiturn potentiometers.



- 1 Wiper limited by stops
- 2 Free arrangement of short-circuit sections
- 3 Free arrangement of taps

CONTACT

If you have any questions about this or any other FSG product, please do not hesitate to contact us.

BERLIN (HQ)
Fernsteuergeräte Kurt Oelsch GmbH
Jahnstraße 68 + 70
12347 Berlin

✉ info@fsg-sensors.de
🌐 www.fsg-sensors.de
📞 +49 30 6291-1
📠 +49 30 6291-277

© Fernsteuergeräte Kurt Oelsch GmbH
No guarantee for the correctness, completeness of the contents. The product illustration may differ from original.